

FRP PIPE

圖 A
(TYPE "A")
E.S.90° 彎頭
(90° ELBOW)

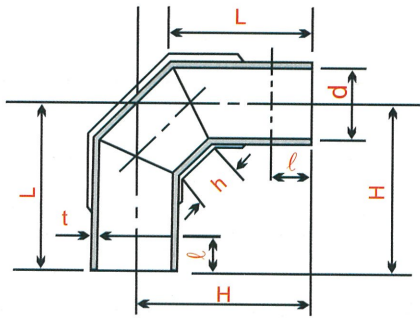
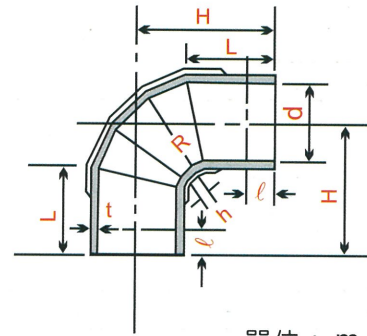


圖 B
(TYPE "B")
E.S.90° 彎頭
(90° ELBOW)



單位：m/m

項目	標稱管徑	d	t	l	L	h	H	備註
1	25 (1")	25	3	50	93.74	12.16	145	TYPE "A" 圖A
2	40 (1 1/2")	40	3	50	97.24	19.78	150	"
3	50 (2")	50	3	55	101.24	26.8	170	"
4	65 (2 1/2")	65	3	60	108.74	35.6	210	"
5	75 (3")	75	4	60	134.16	40.62	225	"
6	100 (4")	100	4	70	181.66	55.26	250	"
7	125 (5")	125	5	80	199.57	69.08	290	"
8	150 (6")	150	5	100	227.07	83.72	320	"
9	200 (8")	200	6.5	120	287.69	111.78	380	"
10	250 (10")	250	7.5	140	338.1	140.24	440	"
11	300 (12")	300	9	150	345.34	282.08	490	TYPE "B" 圖B
12	350 (14")	355.6	9.5	160	394.36	320.96	555	"
13	400 (16")	406.4	11	200	403.58	319.64	605	"
14	450 (18")	457.2	12	230	522.71	428.42	680	"
15	500 (20")	508	14	270	602.12	496.9	750	"
16	600 (24")	600	16	300	750.28	624.56	875	"